

DLM1224-1CV control unit

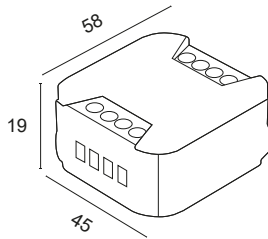
One-channel control unit with ON/OFF and DIMMER function in 12Vdc or 24Vdc constant voltage for monochrome LEDs. Control via a normally open button, 0-10V / 1-10V signal or potentiometer. The system can be expanded with the use of additional control units. Can be installed in unshielded indoor environments.

Active memory function.

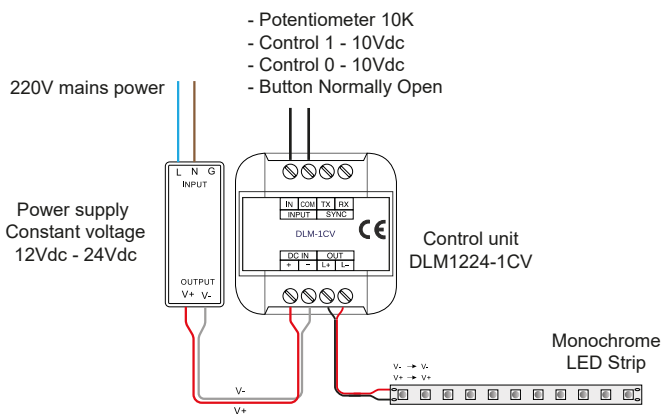
Power supply voltage: $V_{in} = V_{out} - 12/24Vdc$

Output current: 10A - 12/24Vdc

Power rating: 120W@12Vdc - 240W@24Vdc



EXAMPLE OF MONOCHROME LED STRIPS CONTROL



EXAMPLE OF MONOCHROME LED STRIP CONTROL WITH AMPLIFIER

